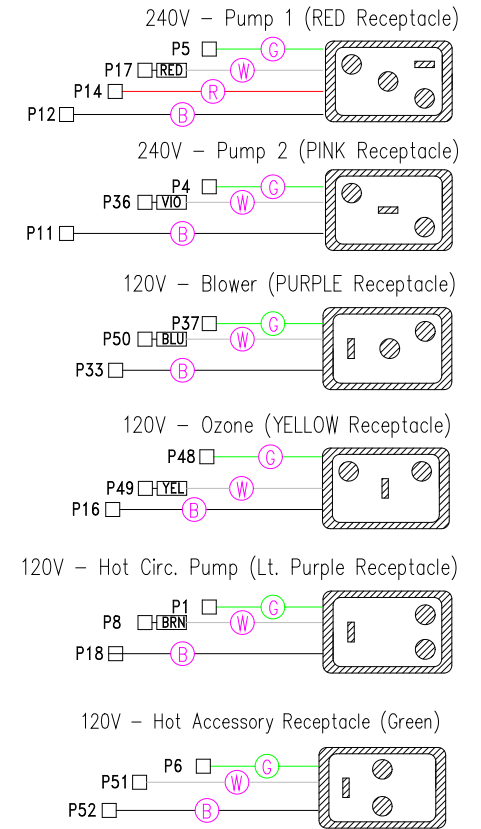
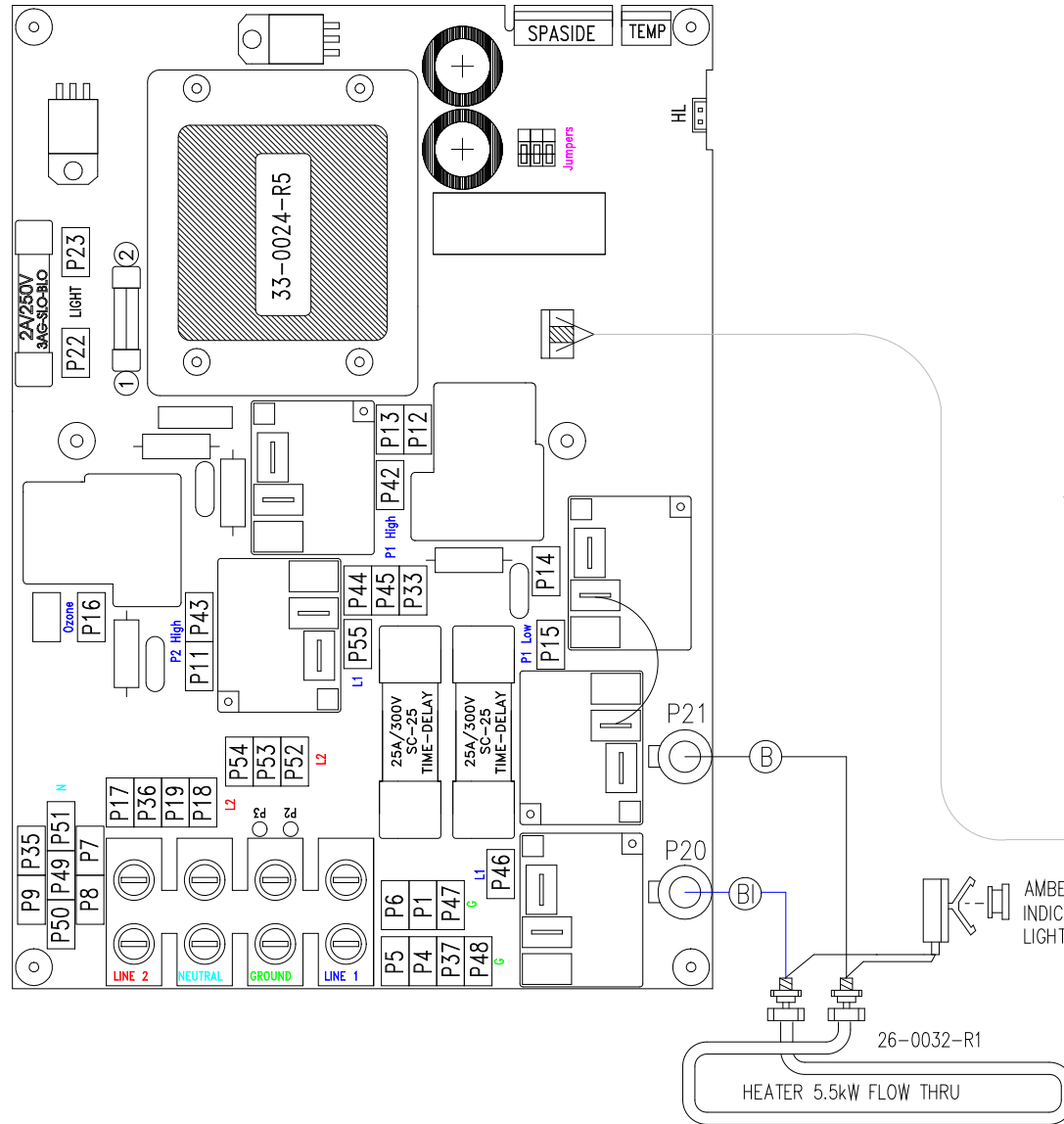
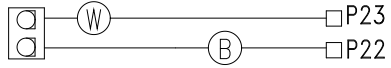


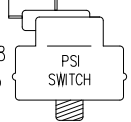
LEGEND	
	- 1/4" QUICK CONNECT
	- 1/4" QUICK CONNECT PIGGYBACK
	- FORK CONNECTOR
	- RING CONNECTOR
	- SOCKET CONNECTOR
	- PIN CONNECTOR

Light Receptacle



AMBER INDICATOR LIGHT

34-0178
1 AMP



Sheetmetal # :
65-0189

Drawn
BH
Date
05.11.06

Rev
11

Diagram No.
4905-JS

Wire Color Code

B - Black	G - Green
Br - Brown	Bl - Blue
R - Red	V - Violet
O - Orange	W - White
Y - Yellow	Gr - Gray

HYDRO-QUIP
CORONA, CA (951) 273-7575

Manufacture Notes: